

LODGE COT

VOLUNTARY REPLACEMENT OF THE MOSQUITO NET

Inglesina announces a voluntary replacement of the Lodge mosquito net, produced from December 2019 to December 2021. This mosquito net is a textile accessory, you can find inside the packaging box of the cot.

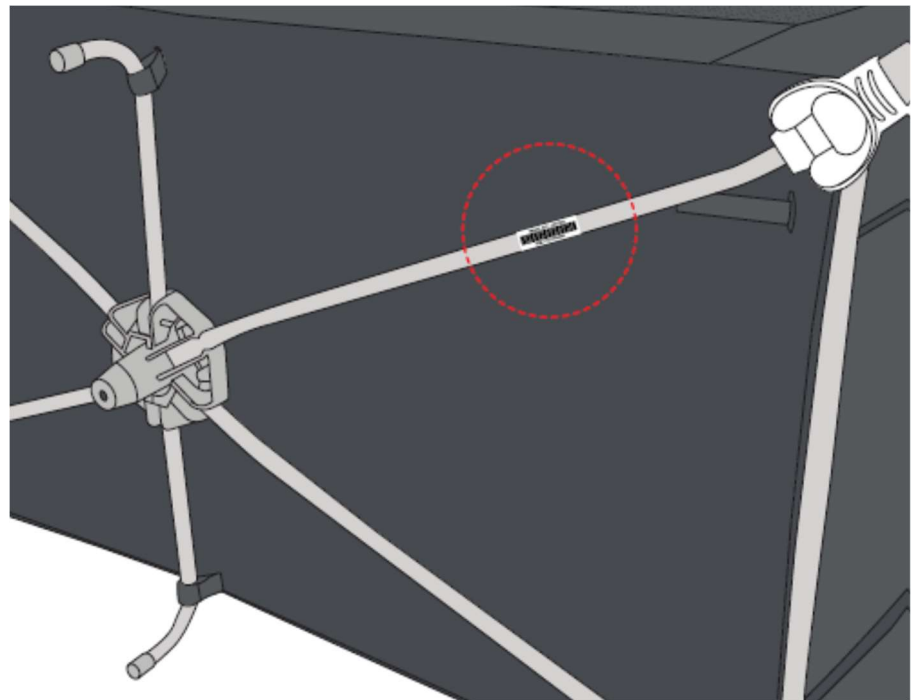
During the performance of a test in accordance with EN 716-1: 2017 / AC: 2019 standard, the detachment of a label on the mosquito net occurred. **The possibility that the child reaches and detaches this label using the product in normal circumstances is remote, but if it does, it could cause a risk of suffocation for the child, if swallowed.**

Up to date, Inglesina has not received any reports of accidents of this type from the market.

We have tested other mosquito nets belonging to the same production batches, obtaining full compliance with the standard; however, as a precaution, **we invite all those in possession of a mosquito net for Lodge cot with serial numbers from 17Z41900005 to 17Z42101850 to contact our Customer Service to receive a replacement mosquito net free of charge.**

Our Customer Service can be contacted through the CONTACT US section on our website inglesina.com

You can find the serial number on adhesive labels placed in one of the axes of the bed base and also outside the packaging box.



We apologize for any inconvenience and really appreciate your cooperation.